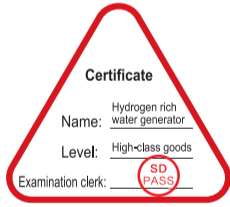


Singapore



"Three Guarantees" service promise

- customer service related services, please contact the distribution unit or the company customer service center, normal use, quality problems, replacement period (from the date of purchase within), appear non-human fault normal use, please keep the product, complete fittings, identified after the failure, can choose a replacement or repair;
- after purchase, if the appearance of man-made damage, replacement failure;
- in the following circumstances, replacement, warranty failure:
All human factors are damaged, including abnormal use;
Customer maintenance, modification or maintenance without the company authorized by the company.

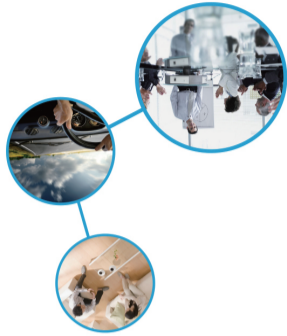
Technology has changed life

We use science and technology to change the life, with scientific and technological means to change your cup of water quality, is to drink your health and safety of pollution-free and nutritious good water, what kind of water you drink today. The constitution.



Suggested use of environmental

Meeting room, office, home, car



What is the hydrogen-rich water?

Hydrogen-rich water is called water in Japan, it has been learned that the hydrogen solubility is indeed relatively low, through modern scientific and technological means, so that a large number of hydrogen water dissolved in water, the production of hydrogen. The source of the disease in the human body is element is the excess of hydrogen free radicals, the people in breathing, smoking, drinking, traveling, strenuous exercise will produce a lot of free radicals

The origin of water-borne water source

In France, Lourdes, Germany's Norddeau and Lafayette, Mexico, there is a made of water" to attract travelers from around the world. There have been more than 2 million people in the same time. Every winter there are thousands of "monkey birds" flying to Guanajuato, where the spring water they call it "hot water", "Miraculous water". Why attract patients from all over the world come here especially? By the scientists of various countries, it was originally, whether it was Lourdes' spring water, the natural water of Norddeau, and even the hydrogen content of their water was extremely high, 10-60ppm, while the ordinary water was almost zero. Active hydrogen is the best antioxidant that can remove free radicals in the body, that is, the magic of these water.



Hydrogen-rich water

Hydrogen is one of the strongest antioxidants in nature, hydrogen can penetrate cells without any obstruction, into the nucleus and mitochondria and other parts and selectively, neutralize cells with malignant hydrogen radicals. Reduce the generation of hydrogen free radicals. (Free radicals can cause DNA damage leading to mutations and various diseases and tumors.) Comparison of hydrogen with other antioxidants, He is 17times the vitamin C, 35 times the carotenes, Vitamin E 431 times, Coenzyme Q, 10 of 863 times. Hydrogen has a selective antioxidant, and has a strong ability to restore, H₂ and the human body of thinking activities of oxygen binding and absorption of (H₂O) water discharge.

Peroxy radicals - Human aging of the culprit

Oxidation is the most basic chemical reaction in nature, this phenomenon can be seen everywhere, such as rust on iron in the damp environment, rust, cut the apple rot in the air and so on. The human body will also occur oxidation, Normal people every day about to breathe more than 20,000 times, inhalation of oxygen, exhaled carbon dioxide. Inhalation of oxygen out of the 98% of the body as a metabolic fuel consumption, here are 2% after oxidation into a harmful substance - peroxy radicals. Human beings have anti-free radical antioxidant enzymes (SOD, superoxide dismutase, etc.), but with age and modern factors, the function of these enzymes alone can not be completely free radicals. Breathing, smoking, drinking, electromagnetic radiation, as well as gastrointestinal discomfort are produced in a large number of peroxy radicals. Peroxy radicals are extremely active disruptive molecules that destroy the body cells. So that the cells of unsaturated fatty acids produce oxides, resulting in cell membrane loss, proteinase degeneration, thereby accelerating the aging process. More serious is the free radical attack on the gene, can make the genetic structure of the gene is destroyed, leading to gene chain mutation, which caused the whole life of systemic disorder. This is why people are sick and aging. When the peroxy radicals destroy the body cells, the enhanced oxidative activity of hydrogen appears, it will prevent the peroxy radical attack cells, reducing the oxygen free radicals to achieve a stable form, thus protecting the body cells from damage. The final combination of hydrogen and oxygen to produce harmless to the body of water; Reduce the risk of cell disease, slow down the rate of cell death



Hydrogen molecular technology

1. Can effectively repair damaged beta cells, improve insulin sensitivity, intestinal detoxification and avoid colon fermentation
2. Hydrogen can increase gastric motility, avoid constipation, promote intestinal peristalsis, reduce cholesterol, reduce blood pressure, improve blood circulation, reduce the risk of stroke, improve the quality of life.
3. Hydrogen can repair nicotine damage and wrapped lung cells, relieve smoking sequelae
4. Hydrogen can repair lung cells damaged and wrapped by nicotine
5. Have a good repair effect on cerebral ischemia-perfusion injury
6. Carrying hydrogen molecules to produce bio-energy to support the heart beating, improve the amount of thin heart

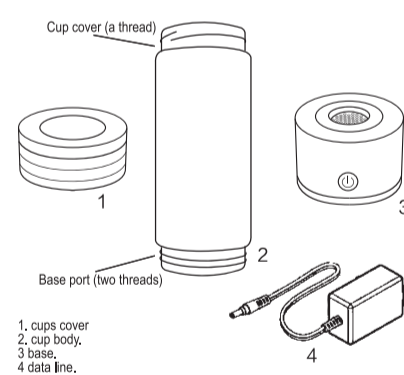
Active hydrogen research papers and books

1. Dutch scholar "Cytochrome" (2003s) published papers "Anti-diabetes" related research results
2. American Medical Journal "Kidney International" International Journal of Nephrology (2003.7) published papers "Reduce oxidative stress response" related research results
3. Biography and Biophysical Research Communications (BBRC) (1997) published in the American Journal of Science "Electrolyzed-Reduced Water Scavenges Active Oxygen Species and DNA from Oxidative Damage" (hydrogen-rich water to eliminate free radicals and protect DNA from oxidative damage)
4. British Medical Journal "Journal of Natural Medicine" (<Nature Medicine> electronic version) "Free radicals: hydrogen effectively remove free radicals" Japanese Medical University's successful attempt
5. Medical Journal "Medical Hypotheses" (2010). doi: 10.1016/j.mehy.2010.08.046 "NASA and the University of Pittsburgh to study, try to use hydrogen therapy to reduce the astronauts in the space flight due to radiation generated by the risk of oxidative stress"
6. Military Medical University Press "Hydrogen Molecular Biochemistry" (gas and biological) (life water and hydrogen-rich water detoxification), etc.



Product parameter

Material: main body: glass, Plastic parts: Polycarbonate (PC), Seals: silicone rubber, 304 stainless steel.
Base: titanium platinum SPE ion polymer battery membrane 1200 ma.



H₂

Portable hydrogen rich water generator

Trouble shooting

- the main engine does not produce hydrogen, the host battery is not power, must immediately charge.
 - long term no use, SEP may be dry, the cup must be soaked with water for 8 hours after use.
 - possible battery aging.
 - check whether the electric socket has electricity; whether the plug and the connecting line are short circuited; whether the charger is damaged.
 - the leakage of the bottle must be checked whether the cup cap is tightened or the sealing ring is aging.
- More than 6 of the problems have not been resolved, please contact the dealer.

Maintenance methods and matters needing attention Soak in

- water for 5-15 minutes, please shake the waste water several times, and then wash it with clean water.
- hydrogen production was small in the first few days, and then increased gradually.
- when carrying or moving the product, please check whether the main switch is disconnected.
- please use special charger for power supply.
- don't immerse in water.
- When the generator joins the water, check whether the combination (cup and mainframe is tightened) to prevent leakage.
- the same cup of water should not be continuously prepared more than 2 times to avoid internal pressure is too high, causing damage to the product.
- if not used for a long time, it is recommended to charge once a month to ensure the durability of the battery.
- strictly forbid to disassemble the host in the warranty period!
- use the drinking water according to the sanitary standard of drinking water (GB5749-2006).
- no liquid drink except purified water, mineral water and purified water is strictly prohibited.

Ways of use

- pour pure water, mineral water or purified water, the water temperature at 50 degrees C the following suggestions, and then tighten the lid
- light the power switch on the front of the main engine, and the work light is on. At this time, a large number of hydrogen bubbles in the bottle rise from the bottom.
- hydrogen production will be completed, LED lights will be automatically extinguished or reminded, you can drink.
- in the use of the process, it is recommended to prepare within half an hour after drinking, because with the increase in time, water hydrogen will slowly evaporate.
- in the electrical generator switch back, rushed electricity when the LED light is red, when the light is blue when it is finished charging. (about 2-3 hours or so)
- when traveling or travelling, buy the mineral water or pure water on the market, connect the converter and the host to produce hydrogen rich water.