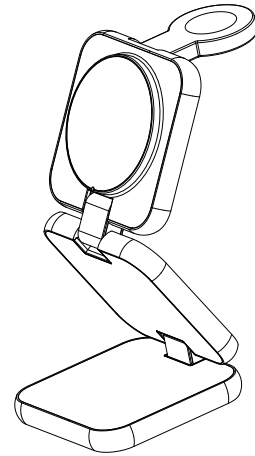


# 3-in-1 Magnetic Wireless Charger User Manual



Note: Thank you very much for choosing this product. In order to enjoy the better using experience please read this manual carefully to ensure you can use this product perfectly. Wish you have a good user experience.

## Product Introduction

The product is a 3-in-1 wireless charger, preferred intelligent chip, can simultaneously charge cell phones, watches, headphones together; folding, spread out, bracket three different forms, you can change the form according to the use of the environment; to achieve high efficiency, stable performance, put it on the charging, easy to enjoy wireless charging technology life. It can also be used to wirelessly charge cell phones or other electronic devices that support the Qi standard.

## Specification

Input: QC/PD 18W Type-C      Conversion Efficiency: 80%–85% Max  
 Output: 5W/7.5W/10W/15W(Smart Phone)      Materials: ABS+AL alloy  
 Output: 5W (TWS)      Size: 73.5\*73.5\*42mm  
 Output: 2.5W(Smart Watch)      Weight: 245g

## Compatibility

**iPhone:** iPhone 15、iPhone 15 Pro、iPhone 15 Pro Max、iPhone 15 Plus  
 iPhone 14、iPhone 14 Pro、iPhone 14 Pro Max、iPhone 14 Plus  
 iPhone 13、iPhone 13 Pro、iPhone 13 Pro Max、iPhone 13 mini  
 iPhone 12、iPhone 12 Pro、iPhone 12 Pro Max、iPhone 12 mini  
 iPhone 11、iPhone 11 Pro、iPhone 11 Pro Max  
 iPhone X、iPhone XR、iPhone XS Max、iPhone XS

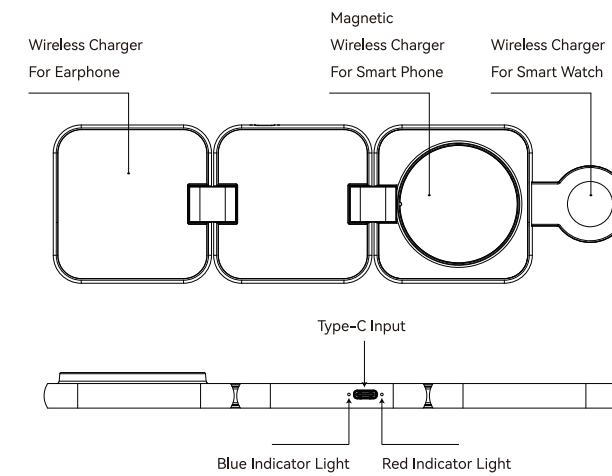
**Samsung:** S20, S20 Ultra, S10, S9, S8, S7, S6 Edge Plus, Note 10 / 9

**Apple Watch:** 9/8/7/6/5/4/3/2 Series

**AirPods:** AirPods 2 / AirPods Pro / AirPods 3

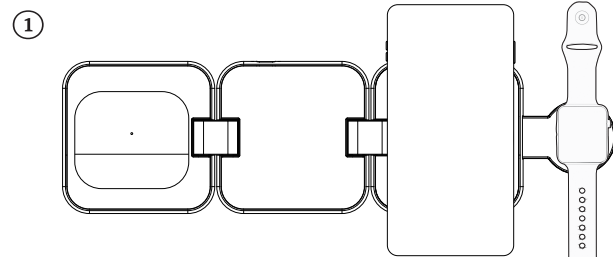
(Other wireless charging devices that support the Qi standard)

## Product Introduction

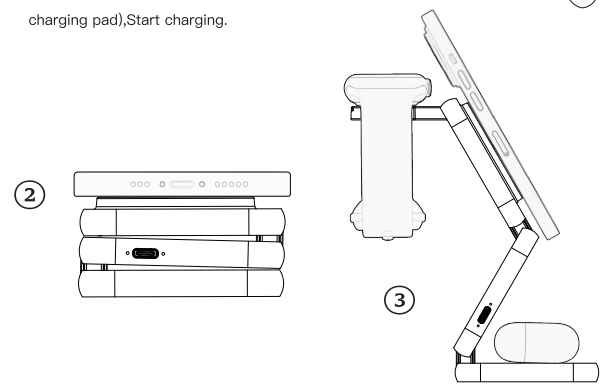


	Blue Indicator Light	Red Indicator Light
Power up	The red light comes on and then goes off; the blue light comes on and then goes off; the red and blue lights come on at the same time and then go off.	
Standby	light out	light out
Charge	light up	light out
Exception	Light flashing	

## Charging Method



Layflat Mode: Lay the device flat on the charging pad(device must be centered on the charging pad), Start charging.



Folding Mode: Minimal size to maximize desktop space savings.

3D Mode: Small size while still being able to charge multiple devices.

## Safety Notice

- Please do not pull the power cord strongly to avoid the power cord breakage or fall off.
- Do not disassemble or put into fire or water to avoid short circuit and leakage.
- Do not use the product in severe heat, humidity or corrosive environment to avoid damage to the circuit leakage.
- Please do not give children to play to avoid unnecessary accidents.
- When using fast charging, please use qualified QC3.0 charging power adapter and fast charging cable, otherwise it may cause charging instability.
- Please do not put metal debris or magnetic cards on the charging board, which may cause damage or abnormalities to the charger.
- If you encounter the receiving coil or transmitting board overheating during use, resulting in stopping charging, please remove the charging product, wait for it to cool down, and then try charging again.

## FAQ and Solution

- Is the phone not charging?  
The phone is not aligned with the sensing area or the receiving coil is not installed correctly.
- Heats up while charging?  
It is normal for the receiving coil or the transmitting board to heat up during the wireless charging process.
- Phone charging intermittently?  
A.If the charging current of the adapter is not enough or the voltage is unstable, please use the QC3.0 fast charging adapter to charge.  
B.The charging position is too biased, and the electromagnetic induction is not good. The charging position can be adjusted.
- The main unit indicator light is normal, but the mobile phone does not work?  
The receiving coil of the mobile phone is faulty, it is recommended to update the receiving coil or repair the mobile phone (built-in receiving coil).

